

HUBBELL®
Wiring Device-Kellems

Twist-Lock® Edge Series

Twist-Lock® Receptacles with Screwless Terminations



Twist-Lock® Receptacles with Screwless Terminations

Hubbell's innovative Twist-Lock® Edge Series receptacles with screwless terminations are the fastest termination devices on the market.



Get the Twist-Lock® Edge

On Speed - Decrease your installation time by over 80% - technicians can install the wires completely by hand without a torque driver or wrench

On Safety - Consistent reliable connection; no exposed live metal parts on the receptacle

On Durability - Wires stay tight for the long term, regardless of vibration, temperature cycling or strand relaxation

On Reliability - Same great quality you have come to expect from Hubbell



Once activated, termination plungers drop into device, collapsing spring onto conductor

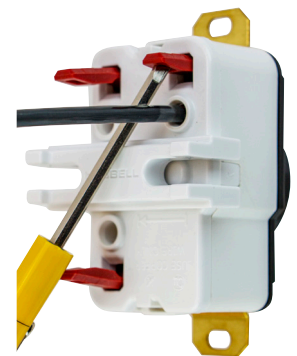
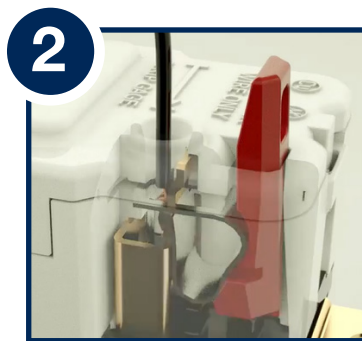
Each termination takes seconds to wire

Strong spring continues to apply pressure as strands relax

*No torque screwdrivers required for wiring**



Labor savings, easy as:



Simply move the plunger upwards to release wire

ORDERING INFORMATION

Twist-Lock® Single Receptacles

Description	Poles/Wires	Rating	20 Amp	30 Amp
Spring termination locking receptacles	2P/3W	125V	HBL2310ST	HBL2610ST
		250V	HBL2320ST	HBL2620ST
	3P/4W	125/250V	HBL2410ST	HBL2710ST
		3Ø 250V	HBL2420ST	HBL2720ST
		3Ø 480V	HBL2430ST	HBL2730ST
	4P/5W	3ØY 120/208V	HBL2510ST	HBL2810ST
3ØY 277/480V		HBL2520ST	HBL2820ST	
Removal bridge, for use with all Twist-Lock Edge Series receptacles			HBLSTRB	



*With this new termination method, the CE Code Part I requirements for the use of a torque driver to secure the terminations are no longer applicable.



Twist-Lock® Edge Series

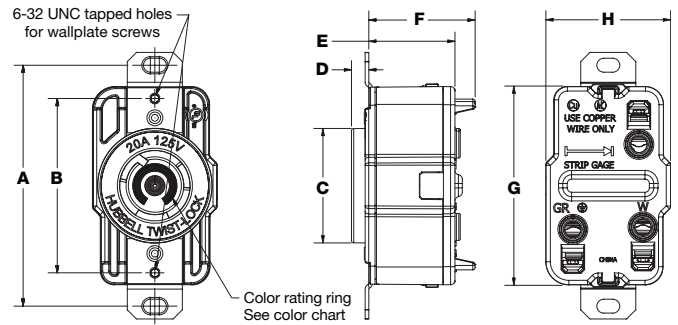
Twist-Lock® Receptacles with Screwless Terminations



SPECIFICATIONS

Product Dimensions Inches (mm)

Catalog Number	Amps	A	B	C	D	E	F	G	H
HBL2310ST	20A	3.28" (83.3)	2.38" (60.3)	1.56" (39.6)	.24" (6.0)	1.17" (29.8)	1.45" (36.8)	2.77" (70.4)	1.70" (43.2)
HBL2320ST									
HBL2410ST									
HBL2420ST									
HBL2430ST									
HBL2510ST									
HBL2520ST									
HBL2610ST	30A	3.28" (83.3)	2.38" (60.3)	1.56" (39.6)	.24" (6.1)	1.26" (32.0)	1.53" (39.0)	2.77" (70.4)	1.70" (43.2)
HBL2620ST									
HBL2710ST									
HBL2720ST									
HBL2730ST									
HBL2810ST									
HBL2820ST									

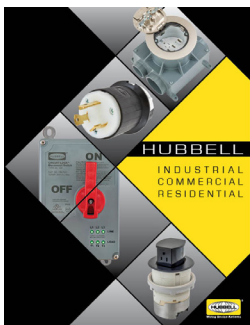


Certifications

cULus Listed by UL to UL498 and CSA C22.2 No. 42.
Indoor Dry environment unless protected by additional means.

LITERATURE SUPPORT

Hubbell offers an extensive literature library for product support. Downloadable PDFs are available online.



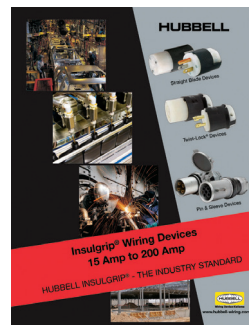
Full Line Catalog



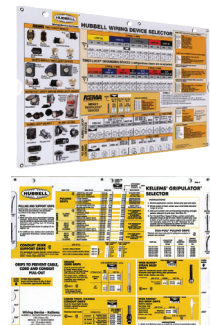
Safety Guide



Entertainment Guide



Insulgrip® Wiring Devices



Slide Selectors

Twist-Lock®
Devices

Kellems®
Mesh Grips

HUBBELL®
Wiring Device-Kellems

www.hubbell.ca

